



INDEPENDENT X-RAY
QUALITY ASSURANCE

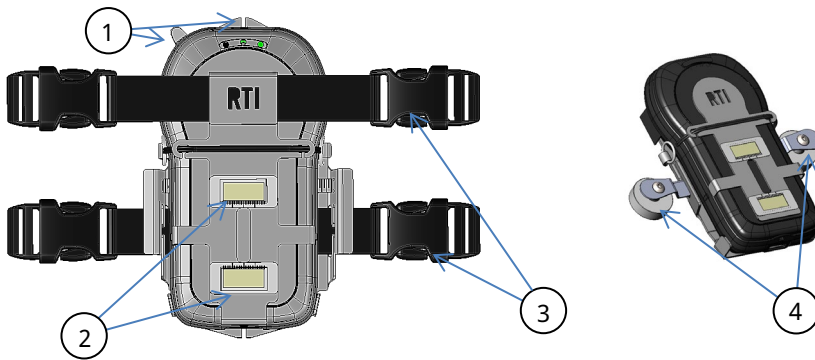
Piranha Panoramic Holder

Getting Started

Congratulations to your new Piranha OPG Holder from RTI. The Piranha OPG Holder is specially designed for attaching the Piranha to dental panoramic equipment. The holder can also with advantage be used for other purposes where the Piranha has to be attached to a surface, e.g. Dental Cone Beam CT units, or a wall bucky.

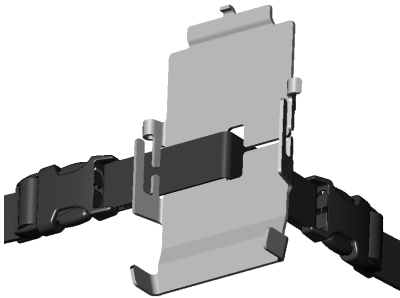
The Piranha Panoramic Holder consists of the following parts:

1. *1 holder base with fine adjustment lever and position markers*
2. *1 fluorescent position guide with scales*
3. *2 adjustable strap with clips and suction cup*
4. *2 magnets*

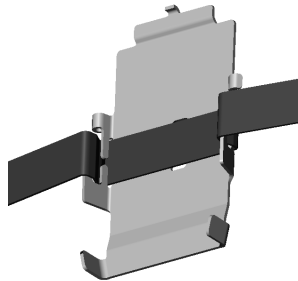


The Piranha Panoramic holder can be mounted in different ways. The images above show from left to right – The Holder Base mounting with straps, and with magnets.

The Images below shows the mount of the strap in different situations.



When attaching the holder around a corner. Used when image receptor is located close to an edge.



When attaching the holder on a countersink image receptor.

The use of the Piranha for Panoramic units is described in the Piranha Reference Manual.

If you have any questions, please contact your local RTI representative.