



INDEPENDENT X-RAY
QUALITY ASSURANCE

Use with



Mako Stand with Holders | Specifications

Versatile Stand for Mako in Broad X-ray System Applications

The RTI Mako Stand & Holders allows for simple and efficient positioning of the Mako system and RTI Probes in a broad range of X-ray applications across all modalities.

The Stand supports holders for Mako Probes (R/F, Mammo & Dental), RTI CT Ion Chamber, RTI Dose Probe,

RTI CT Dose Profiler and a filter holder for traditional HVL measurements. The stand is simple to configure and comes with the four holders/adaptors as standard in the kit.

Application

Mako Probe Holder

The Mako Probe Holder supports all Mako Probes (R/F, Mammo and Dental) and is flexible to position in different orientations and heights.



RTI CT Ion Chamber & RTI Dose Probe Holder

The RTI CT Ion Chamber & RTI Dose Probe can be connected to this holder for simple positioning, such as the CT Ion Chamber within a CT system.



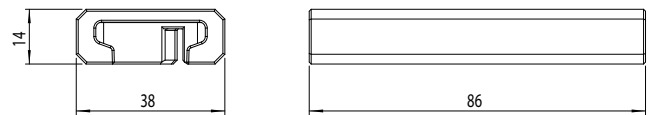
HVL Filter Holder

This holder supports traditional HVL measurements with the 33 x 33mm HVL filters (filters not included). The base of the Mako stand holds Mako Probes, for convenient testing with the filter holder



Specifications

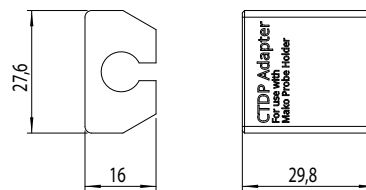
Article number:	9765030-00
Article name:	Mako Stand with Holders
Dimensions:	307,5 x 12 mm
Weight:	522 g
Material:	Aluminium
Compatible meters:	Mako Probes (R/F, Mammo, Dental), RTI CT Ion Chamber, RTI Dose Probe, RTI CT Dose Profiler, 33x33mm HVL filters.



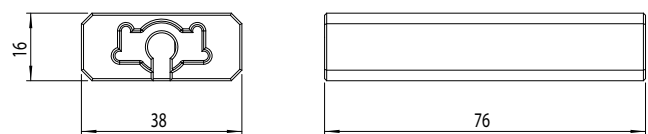
Mako Probe Holder

RTI CT Dose Profiler Holder

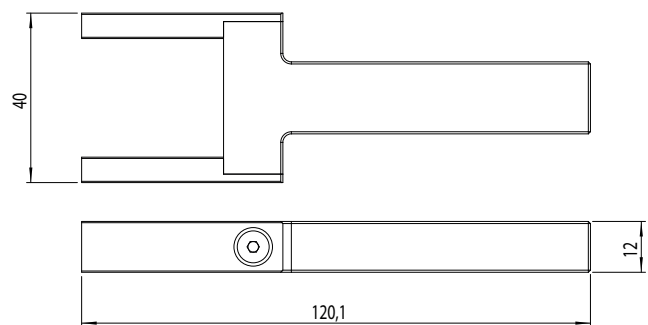
To use the CT Dose Profiler with the Stand, connect the "CTDP adaptor" to the "Mako Probe Holder". The CT Dose Profiler can then be connected for efficient placement in the CT system.



CT Dose Profiler Holder (inserts into the Mako Probe Holder)



RTI CT Ion Chamber & RTI Dose Probe Holder



HVL Filter Holder